



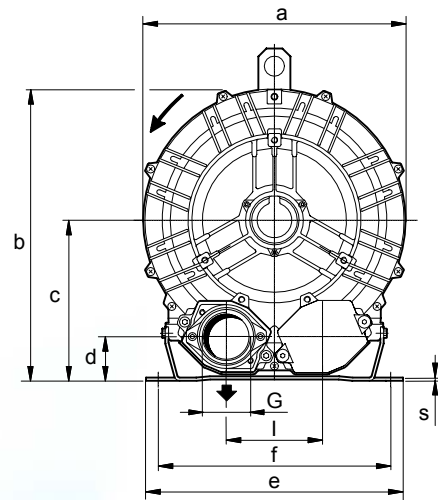
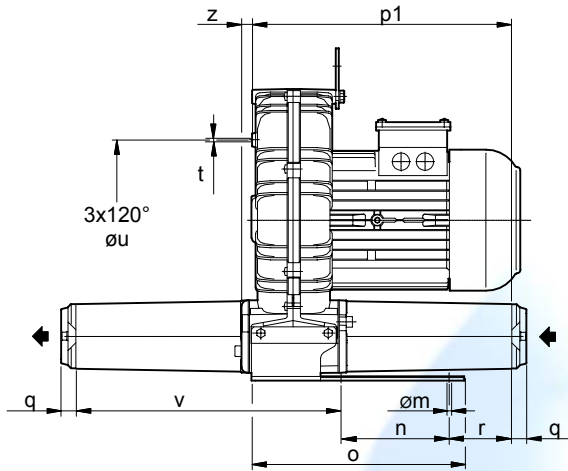
® **FPZ S.p.A.**
 Via F.lli Cervi 16
 20049 Concorezzo - (MB) - ITALIA
 Tel. +39 039 69 09 811
 Fax +39 039 60 41 296
 www.fpz.com

LATERAL CHANNEL BLOWERS - EXHAUSTERS

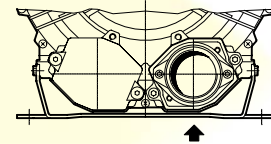
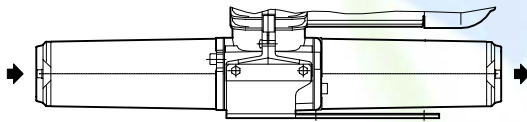
SCL K03 / K04 / K05 / K06

MS SERIES - MOR RANGE

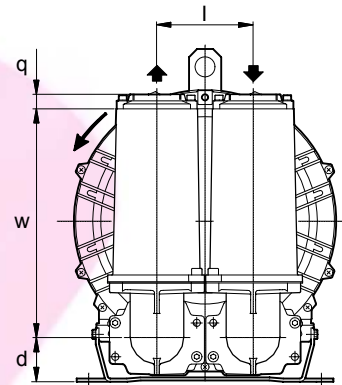
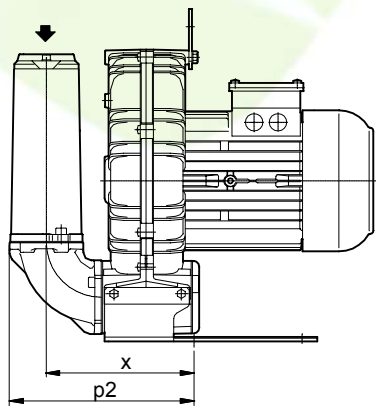
SI 1835-6 1/1



In-line silencer configuration



Configuration with 2 90° manifolds (Accessory)



DIMENSIONS IN mm.
 DIMENSIONS FOR REFERENCE ONLY.

Model	a	b	c	d	e	f	G	l	m	n	o
K03-MS	241	268	147	43	230	205	G 1" 1/4	86	10	83	142
K04-MS	285	315	172	49	255	225	G 1" 1/2	102	12	95	171
K05-MS	327	365	200	54	320	260	G 2"	120	15	115	265
K06-MS	376	393	205	54	325	290	G 2"	125	15	140	272

Model	p1	p2	q	r	s	t	u	v	w	x	z
K03-MS	205	140	18	75	4	M6	140	180	188	106	12
K04-MS	222	160	18	70	4	M6	175	195	188	120	18
K05-MS	320	230	18	98	4	M8	200	330	285	184	19
K06-MS	334	244	18	85	4	M8	240	332	285	198	19