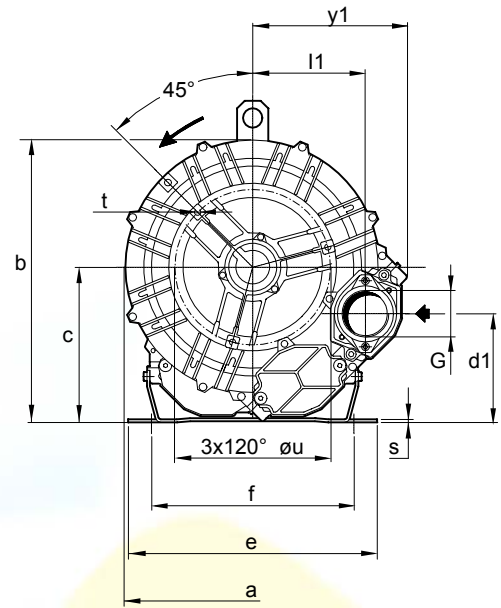
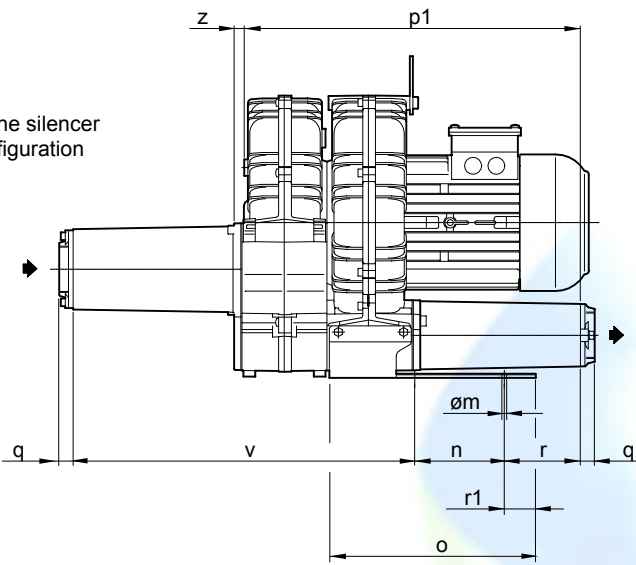
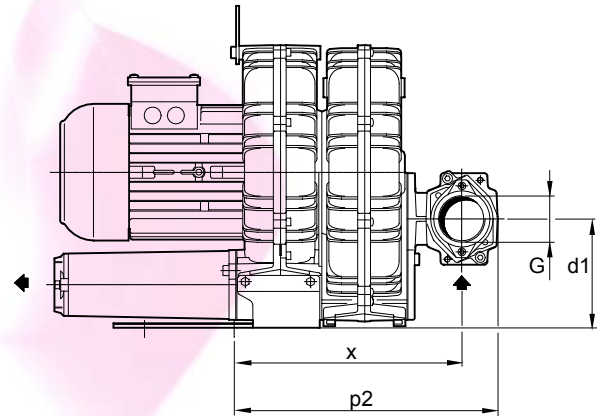
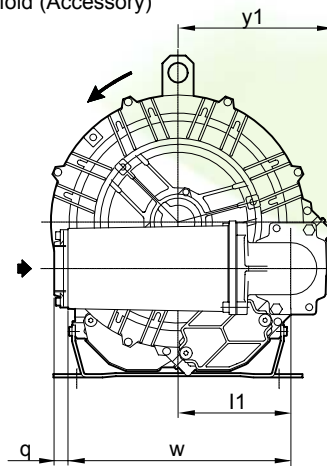




In-line silencer configuration



Configuration with CK manifold (Accessory)



DIMENSIONS IN mm.  
 DIMENSIONS FOR REFERENCE ONLY.

Model	a	b	c	d1	e	f	G	l1	m	n	o	p1
K03-TD	241	268	147	104	230	205	G 1" ¼	104	10	83	143	208
K04-TD	285	315	172	121	255	225	G 1" ½	123	12	95	171	316
K05-TD	327	365	200	140	320	260	G 2"	145	15	115	265	428
K06-TD	376	420	232	170	325	290	G 2"	151	15	140	265	506

Model	p2	q	r	r1	s	t	u	v	w	x	y1	z
K03-TD	215	18	75	13	4	M6	140	255	188	180	141	12
K04-TD	254	18	70	15	4	M6	175	288	188	214	166	18
K05-TD	340	18	98	40	4	M8	200	440	286	293	200	19
K06-TD	354	18	136	19	4	M8	240	455	286	308	205	19